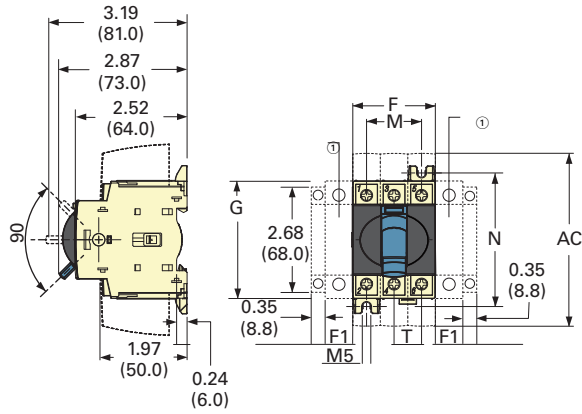


Dimensions

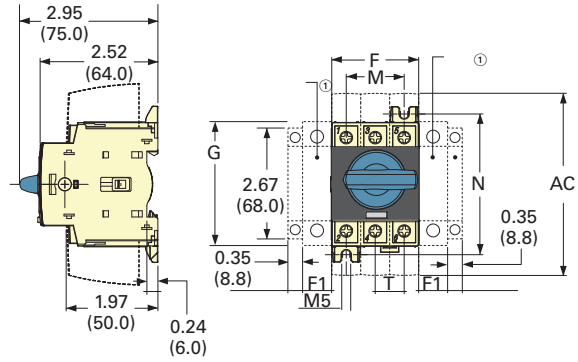
Approximate Dimensions in Inches (mm)

R5 Series 16–80A

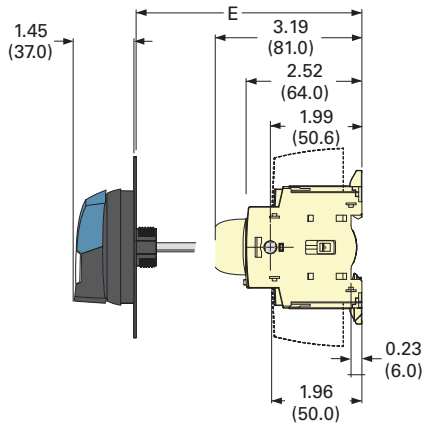
Toggle Operation



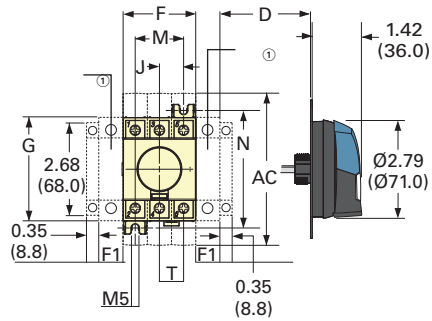
Direct Operation with Handle



External Front Operation



External Side Operation



R5 Series ^②

Ampere Rating	Overall Dimensions				Terminal Shrouds	Switch Body				Switch Mounting		Connection Terminal
	D Min.	D Max.	E Min.	E Max.	AC	F	F1	G	J	M	N	T
16–40	1.18 (30.0)	9.25 (235.0)	3.94 (100.0)	14.65 (372.0)	4.33 (110.0)	1.77 (45.0)	0.59 (15.0)	2.68 (68.0)	0.59 (15.0)	1.18 (30.0)	2.95 (75.0)	0.59 (15.0)
63–80	1.18 (30.0)	9.25 (235.0)	3.94 (100.0)	14.65 (372.0)	4.33 (110.0)	2.06 (52.5)	0.69 (17.5)	2.99 (76.0)	0.69 (17.5)	1.38 (35.0)	3.35 (85.0)	0.69 (17.5)

Notes

- ① One switched fourth-pole module (one per device maximum) or one unswitched neutral pole or one auxiliary contact.
- ② Maximum four additional blocks.

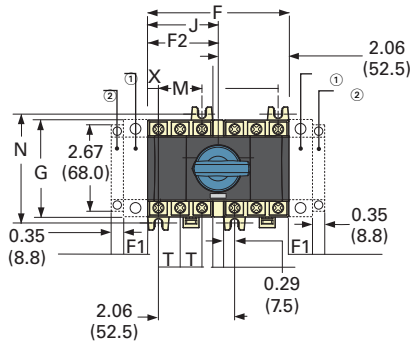
8.2

Rotary Disconnects

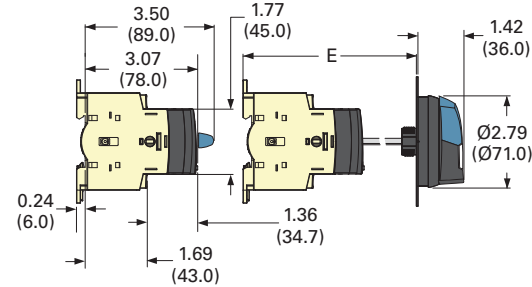
R5 Series (UL 508) Non-Fusible 16–80A

Approximate Dimensions in Inches (mm)

Direct Front Operation for 6/8-Pole R5 Load Break Switches or 3/4-Pole R5 Changeover Switches



External Front Operation



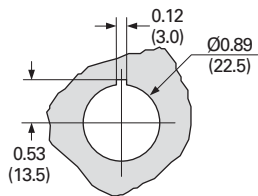
8

R5 Series ③

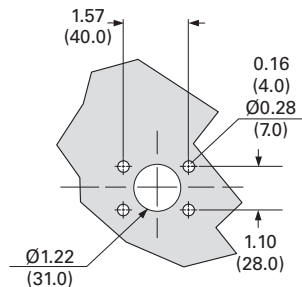
Ampere Rating	Overall Dimensions		Switch Body				Switch Mounting		Connection Terminals		
	E Min.	E Max.	F	F1	F2	G	J	M	N	T	X
16–40	4.13 (105.0)	14.64 (372.0)	3.83 (97.5)	0.59 (15.0)	1.77 (45.0)	2.67 (68.0)	1.92 (48.8)	1.18 (30.0)	2.95 (75.0)	0.59 (15.0)	0.29 (7.5)
63–80	4.13 (105.0)	14.65 (372.0)	4.13 (105.0)	0.69 (17.5)	2.06 (52.5)	2.99 (76.0)	2.06 (52.5)	1.38 (35.0)	3.35 (85.0)	0.69 (17.5)	0.34 (8.8)

Door Drilling—SH00/SH0

With Fixing Nut

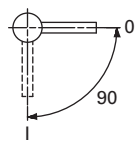


With Four Fixing Screws

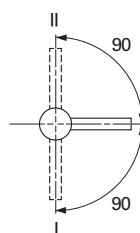


Operating Handle—SH00/SH0

Front and Right Side Operation



Front Operation for R5 Changeover Switches I–0–II or I–I+II–II



Notes

- ① One switched fourth-pole module (one per device maximum) or one unswitched neutral pole.
- ② Auxiliary contact.
- ③ Maximum four additional blocks.